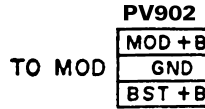
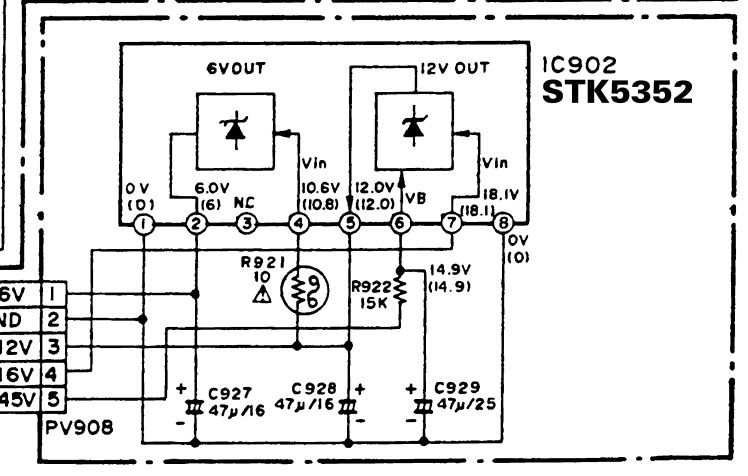
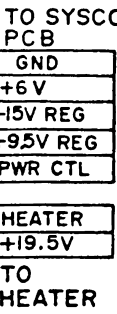
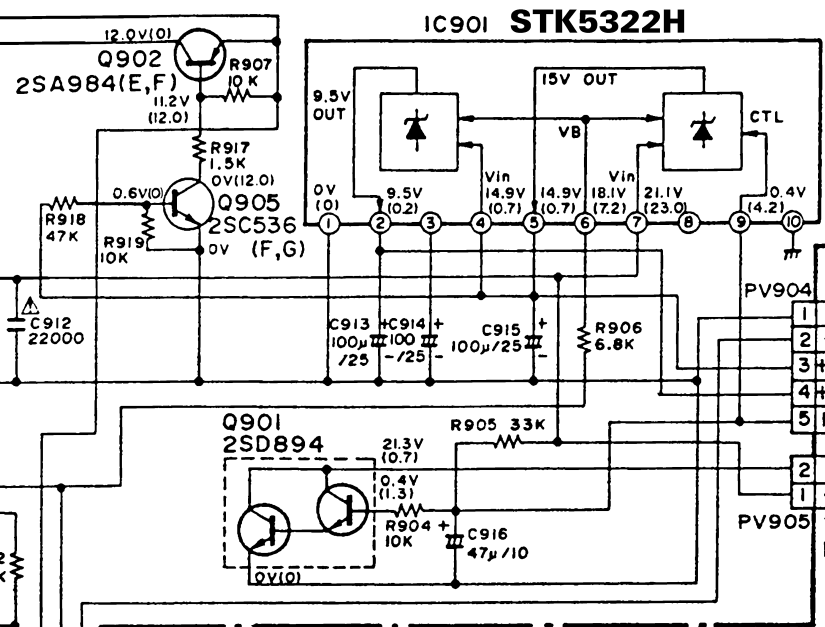


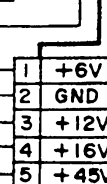
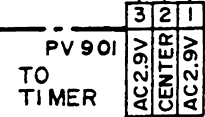
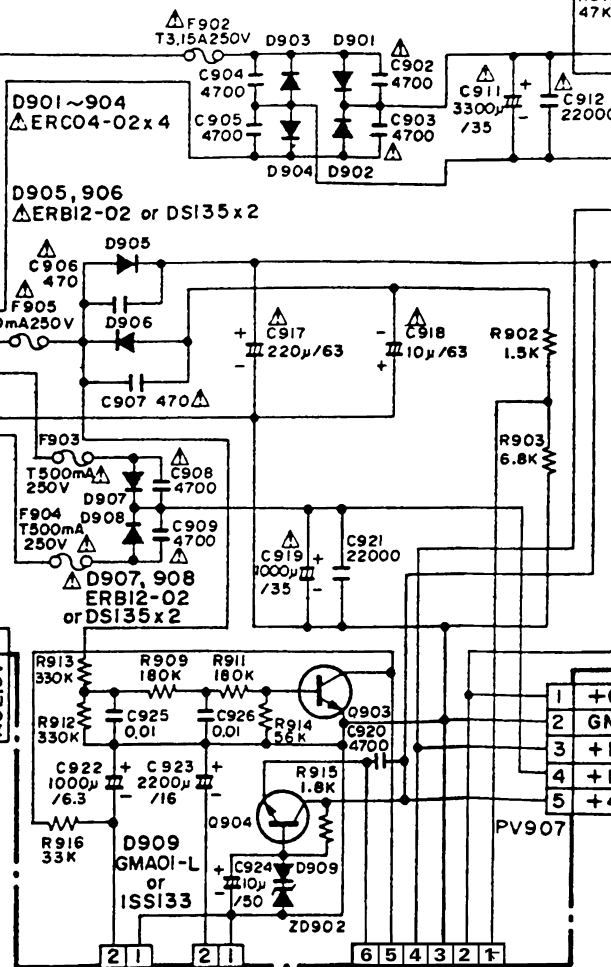
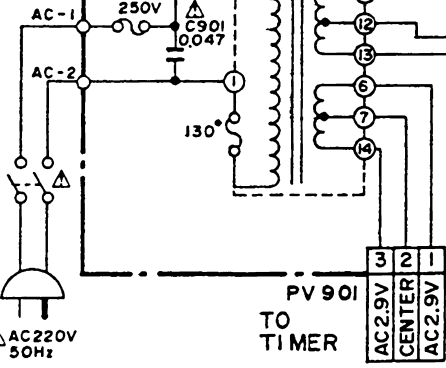
MIKO
ELECTRONIC
Dragoljub Janovic
micro@ptt.yu
031/512-402-514-502



POWER A

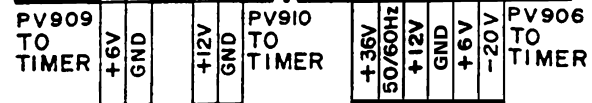


POWER B

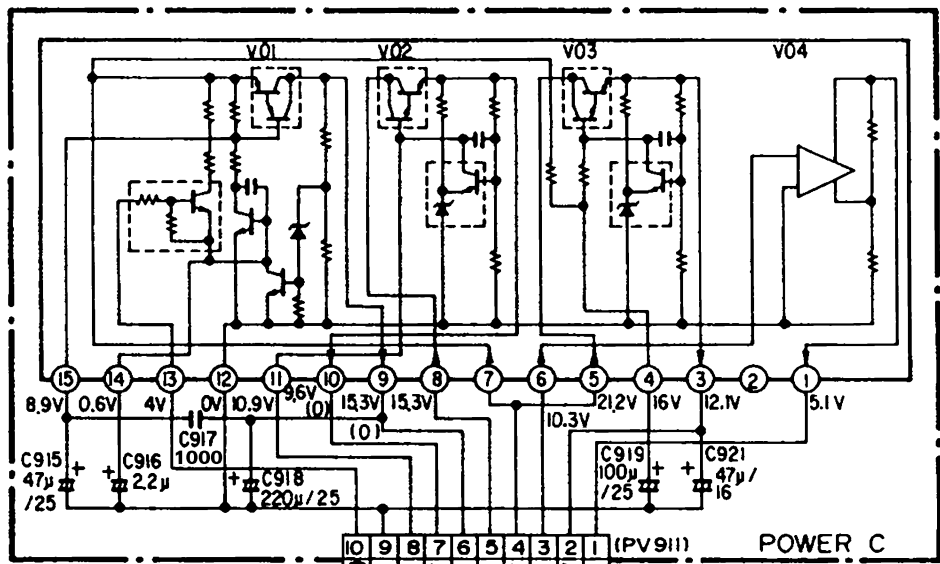


Q903 2SC536 (F,G)
Q904 2SC2002 (L,M) or 2SC2274 (E,F)

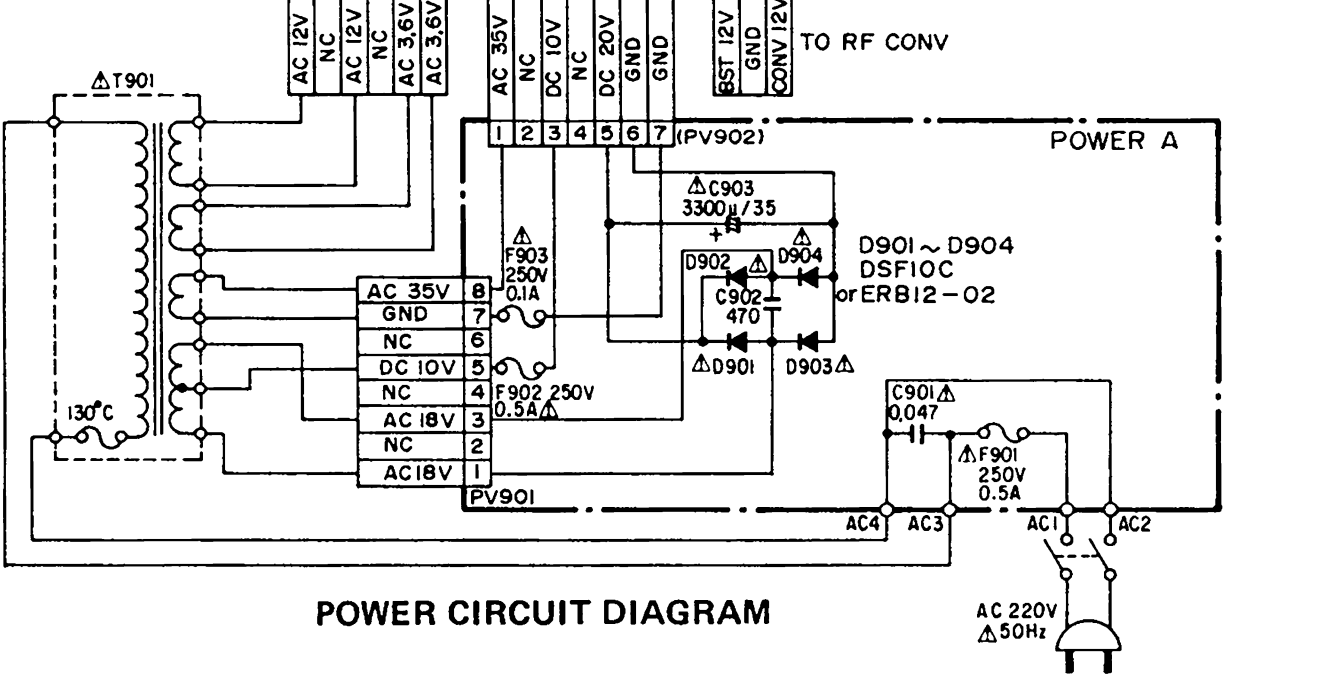
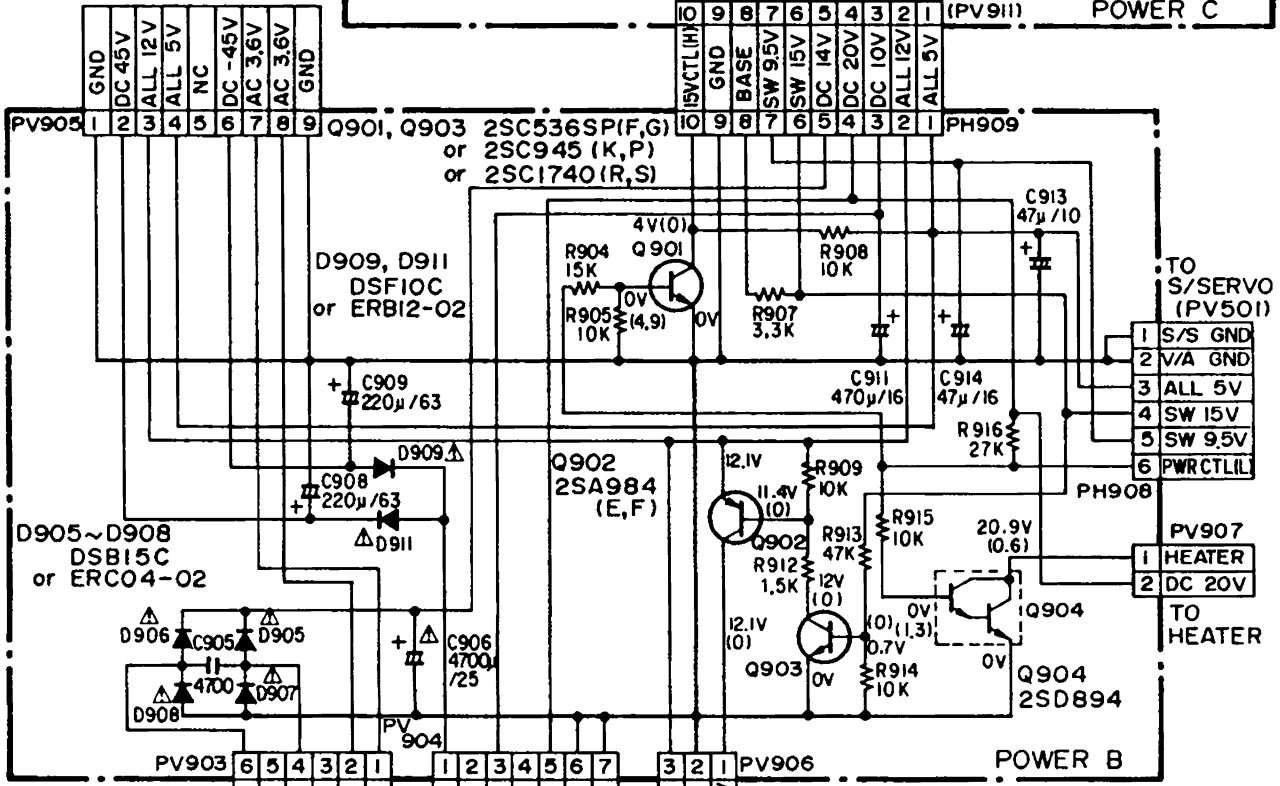
ZD902 GZA36Y or EQA02-35B



IC 901 STK5431



TO TIMER / VOLSYN
(PV101)



POWER CIRCUIT DIAGRAM

